



E.H.WACHS®

Superior Equipment. Complete Support.™



The "SafeQuip" Hydraulic Power Pack from Orbitalum Tools is the new high-safety standard for industrial prefabrication and maintenance of piping systems.

58

Hydraulic Power Pack SafeQuip

Hydraulic Power Pack

Main functions in combination with LCSF Split Frame and Trav-L-Cutter:

- **Speed Control** by voltage divider for continuous control from lowest to highest speed. It is possible to start at a low, safe speed and increase slowly.
- **Start, Stop, Emergency Stop:** Maximum safety by starting and stopping from distance. Working with Trav-L-Cutters sometimes requires to start and to stop the machine feed and speed during operation. Complying with the European standards and guidelines the emergency stop can be activate from distance remotely, direct from the operator position.
- **Security Quit** to release the emergency stop. If the emergency stop is activated at the control panel it is then required to be released at the main control box of the power pack to prevent accidental restart.
- **Dead Man's Handle:** The speed immediately stops when the dead man's handle is released.
- **Remote Control Panel:** Low weight and easy to handle ergonomic design.

Additional security function for LCSF Split Frame:

- **SafeQuip feed system:** Brand new high-safety system to activate the feed from distance.

SafeQuip

The "SafeQuip-Series" from Orbitalum Tools is the new high-safety standard for industrial prefabrication and maintenance of piping systems with portable E.H. WACHS machines. Current European standards and guidelines necessitate this new solution to save the field operator from danger. The safe operation from distance, by a remote control panel enables the worker to control the main functions.

Additional Features:

- Oil leakage sump for a high standard on conservation and ecological use.
- Transport eyes for diverse lifting usage.
- Oil cooler for longer operating time even at high temperatures.
- IP55 protected against dust and jet water.
- Solid frame prevents the hydraulic hardware against transport damages.
- Hour meter counter for optimization of maintenance control.



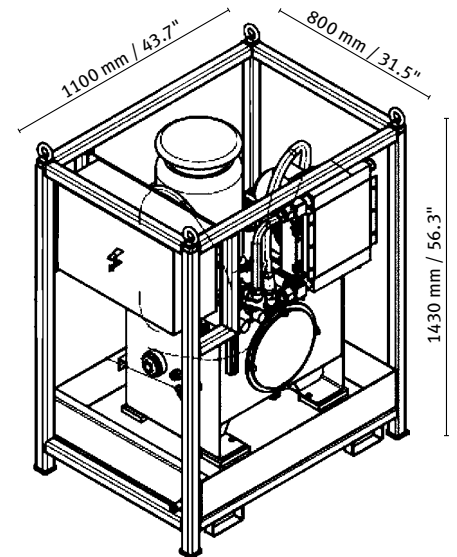
Hydraulic Power Pack



Hydraulic Power Pack – Rear View

Specifications	Hydraulic Power Pack
Remote Control	Start, Stop, Speed control, Safety device, Emergency Stop, applicable for feed control. Cable length: 5 m (16.4 ft)
Pressure	approx. 105 bar
Capacity	0 - 55 l/min
Filtration	10 micron
Oil Cooler	included
Oil tank	100 l
Power	400 V, 50/60 Hz, 32 A, 11 kW

Article	Version	Code	WACHS Ref.-no.		
SafeQuip Hydraulic Power Pack	400 V, 50/60 Hz, 32 A, 11 kW	900 002 011	-		

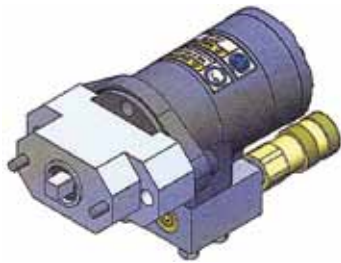




Feeding unit including cable



Set of hydraulic hoses



Hydraulic motor "SafeQuip"

Accessories for Hydraulic Power Pack "SafeQuip"

Miscellaneous accessories

Article	Version	Code	WACHS Ref.-no.		
Feeding unit including cable For LCSF 206 - 1420	15 m (49.2 ft)	on request	-		
Feeding unit including cable For LCSF 1824 - 4248	15 m (49.2 ft)	on request	-		
Extension cable "SafeQuip"	15 m (49.2 ft)	900 002 132	-		
Set of hydraulic hoses	15 m (49.2 ft)	790 500 510	-		
Hydraulic motor "SafeQuip" For LCSF		960 424 020	60-424-02		
Hydraulic motor "SafeQuip" For EP 424		981 310 010	81-310-01		
Hydraulic oil filling	100 l (26.4 gal), biodegradable	900 002 114	-		

Air Control Module ACM for pneumatic motors

For LCSF, SDSF, EP 424 and SDB/FF.

- All air design, with no other power source required
- Compact and self contained, all controls and hoses fit in a strong, watertight case
- Lockable, self contained case with wheels and telescoping handle for easy transport
- Lightweight, ergonomic remote for operator comfort
- 1.8 m (6 foot) remote umbilical provides the operator unencumbered movement and optimum positioning
- Lockable shut-off for supply isolation
- Shut-off vents trapped system pressure
- Pressure regulator lockable at desired pressure, 116 psi (8 bar) maximum setting
- Dual unit pressure gauge for quick visual confirmation of supply pressure
- Emergency stop shuts off and dumps air motor supply
- Vented non-marring quick disconnect with easy push to connect and one handed disconnection
- Operator reset required following main pressure failure or emergency stop activation, preventing dangerous movement
- 6 m (20 foot) air line reaches air motor in any operating position for safety and durability



Air Control Module ACM for pneumatic motors

ACM

New all-in-one air treatment module with remote control.

The E.H. WACHS Air Control Module (ACM) provides remote operation capability for select models of WACHS pneumatic powered split frame and end prep machines. The ACM allows operators to cut and bevel pipe up to 7.9 m (26 feet) away. This feature can significantly reduce fatigue while moving the operator a safe distance from the workpiece, important in highly restricted or potentially hazardous environments. Housed in a strong, watertight wheeled case with a telescoping handle the ACM is extremely portable, simple to set up and easy to use at any job site.

Easy Operation

Everything needed to quickly set up and start operating remotely is contained inside the case. The ACM uses the large "Chicago" style air coupler for our LCSF and End Preps, and includes the required adaptors to control the SDSF and other machines that use the smaller air connector. To enhance portability, the ACM operates solely on compressed air, requiring no external power. For fast removal and user safety the line quick disconnects have a selfventing feature that automatically vents line pressure on shut-off.

All-In-One

The ACM is two products in one, an air treatment module that regulates and conditions the incoming air supply to protect valuable air motors, and a remote control device that allows the operator the freedom to move away from the machine. This all in one capability makes the WACHS ACM a cost effective investment that will pay big dividends in drive motor longevity, operator comfort and versatility.

Safety Features

- Air supply isolation
- Pressure relief system
- Venting trapped pressure
- Emergency Stop
- Hands free operation



Ergonomic fingertip control for all air functions with safety stop button.



ACM controlling Low Clearance Split Frame



Air treatment module and remote control in a rugged light portable package.



Air Treatment Module ATM

Specifications	Air Control Module ACM for pneumatic motors
System Function	Provides remote operation capability for select WACHS pneumatic split frame and end prep machines to cut and bevel pipe
System Capacity	Operates pneumatically powered E.H. WACHS machine as indicated
Air Power Requirements	ACM - 1.84 m ³ /min at 6.3 bar (65 cfm; 90 - 232 psi) compressed air supply
Packaging	Heavy duty storage case, transport with handle and wheels
Dimensions	457 mm x 500 mm x 305 mm (18.0" X 19.7" X 12.0")
Materials	Rugged ultra high-impact copolymer resin case and steel control panel
Weight	15.4 kg (34 lbs)
Standard equipment	<ul style="list-style-type: none"> • Integrated control module • 1.8 m (6') remote cord • 6 m (20') air hose • Remote hand controller • Heavy Duty Transport/Storage Case • Operating Instructions

Article	Code	WACHS Ref.-no.		
Air Control Module ACM for pneumatic motors	960 420 000	60-420-00		
LCSF Air Throttle	960 376 000	60-376-00		
SDSF Air Throttle	980 376 000	80-376-00		

Air Treatment Module ATM

Article	Code	WACHS Ref.-no.		
Air Treatment Module ATM	926 407 000	26-407-00		